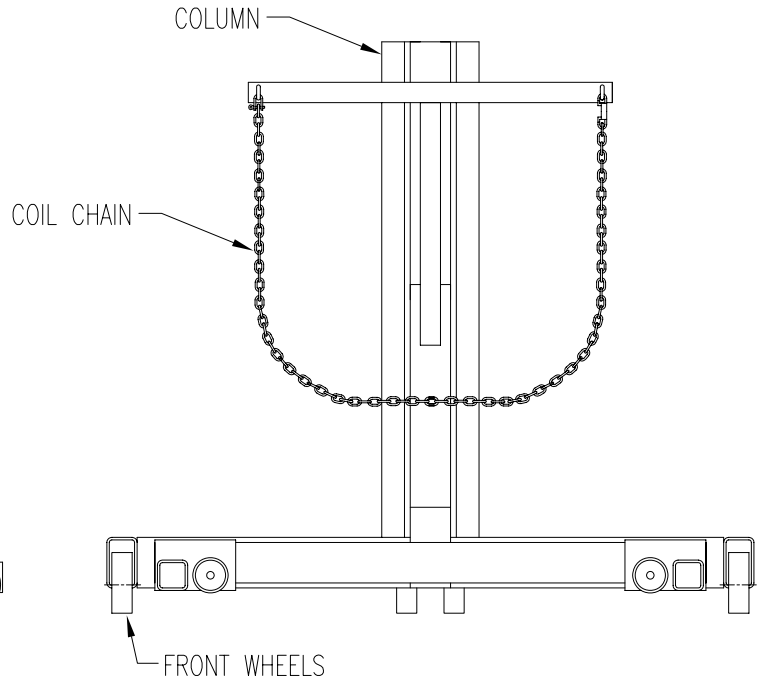
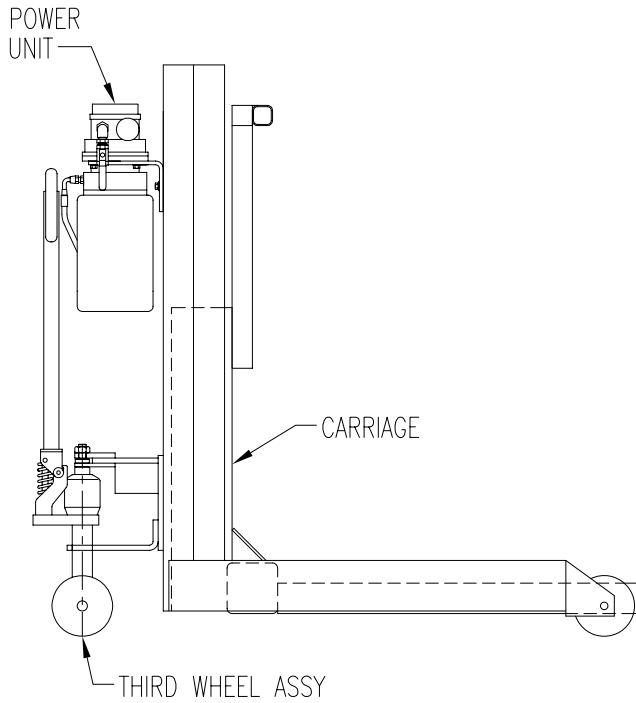


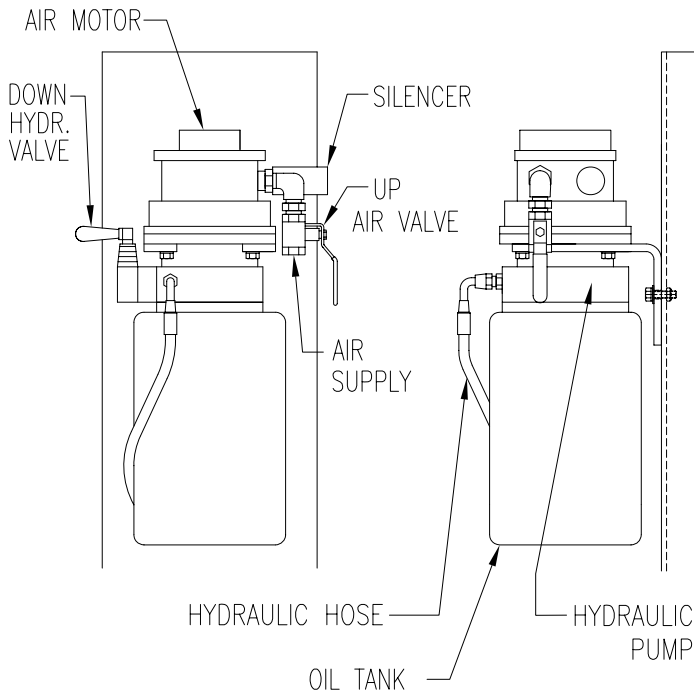
ONE COLUMN SYSTEM CAPACITY: 5,000 LBS



AIR/HYDRAULIC POWER UNIT

REAR VIEW

SIDE VIEW



UNPACKING AND SET-UP

- REMOVE LIFT FROM SHIPPING SKID.
- CONNECT AIR VALVE TO 90 PSI AIR SUPPLY (CONNECT MINIMUM 3/8 ID HOSE TO 1/2 NPT "P" PORT ON AIR VALVE)

OPERATION

- BE SURE THAT THE FLOOR IS STRONG ENOUGH TO SUPPORT THE LIFT BEFORE OPERATING.
- PUSH THE CRADLE OF THE LIFT UNDER TIRE.
- TO RISE THE CRADLE PULL AIR VALVE HANDLE DOWN.
- TO LOWER THE CRADLE:
 1. SHUT OFF AIR SUPPLY BY PULLING AIR VALVE HANDLE UP.
 2. PUSH HYDRAULIC VALVE HANDLE DOWN.
- TO STOP THE CRADLE:
 1. SHUT OFF AIR SUPPLY BY PULLING AIR VALVE HANDLE UP.
 2. TAKE HAND OFF DOWN VALVE.