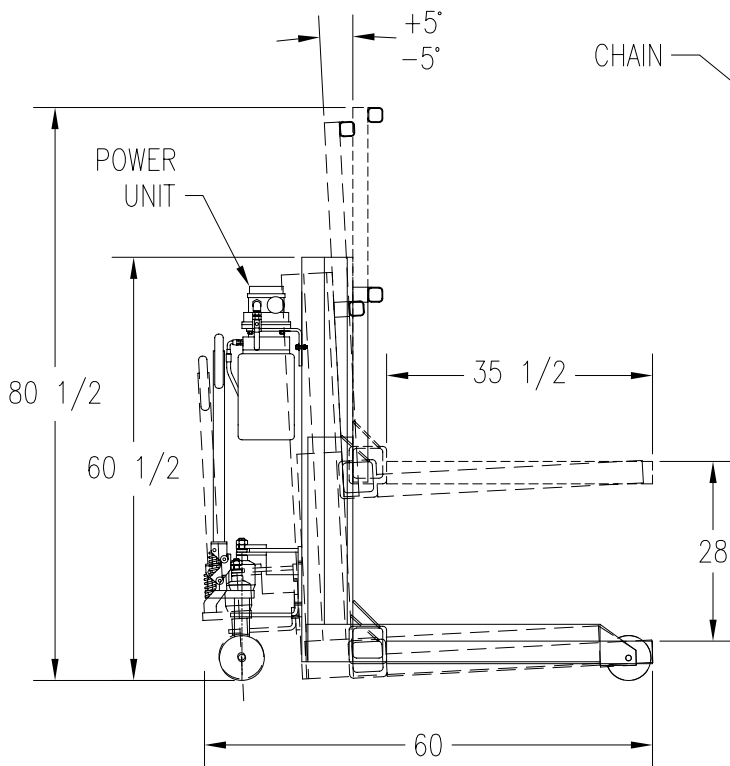
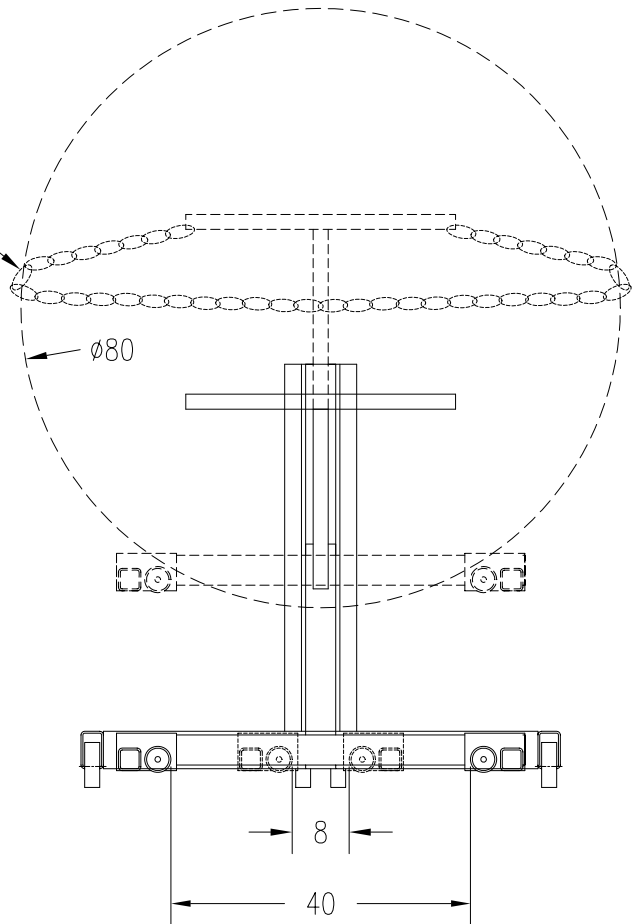


CAPACITY - 5,000 LBS  
 LIFTING HEIGHT UP TO 28"  
 LIFTING SPEED - 20 seconds  
 AIR/HYDRAULIC SYSTEM  
 HYD. OPERATED THIRD WHEEL  
 TIRE SIZE - UP TO 80" OUTSIDE DIA



CHAIN



TIRE DOLLY  
 MODEL: TD 5000H

PKS

JULY 15/2005

TD-5000

B