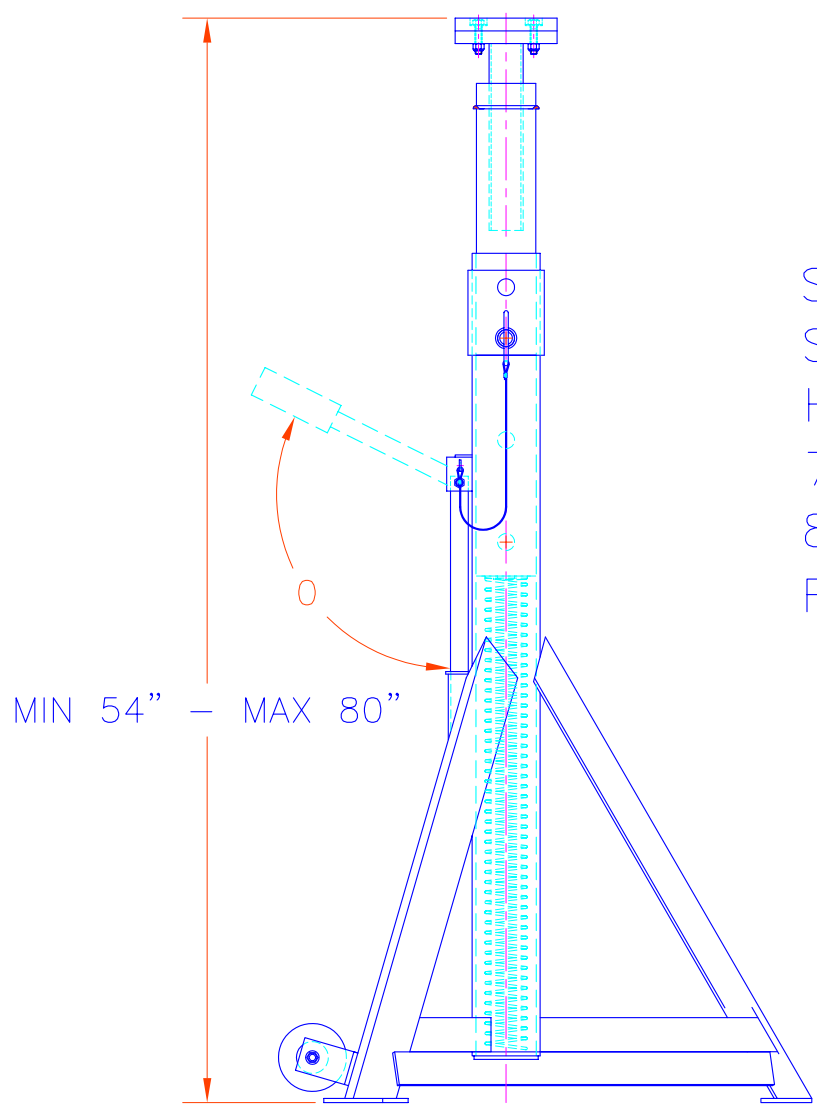


JACK STAND
(TRIPOD)

- SCREW TYPE
- SPRING LOADED
- HARDWOOD TOP
- 7 PINS
- 8" FINE ADJUSTMENT
- FOLD AWAY HANDLE



CAPACITY: 18 TON

P K S

PKA.5480.18T