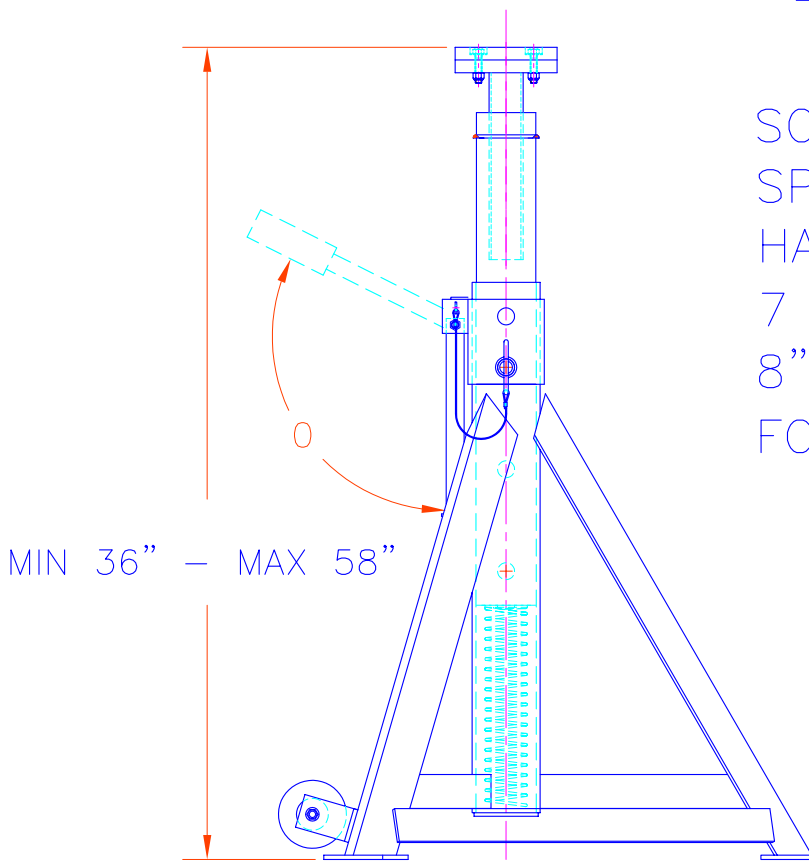


JACK STAND
(TRIPOD)

SCREW TYPE
SPRING LOADED
HARDWOOD TOP
7 PINS
8" FINE ADJUSTMENT
FOLD AWAY HANDLE



CAPACITY: 18 TON

P K S

PKA.3658.18T