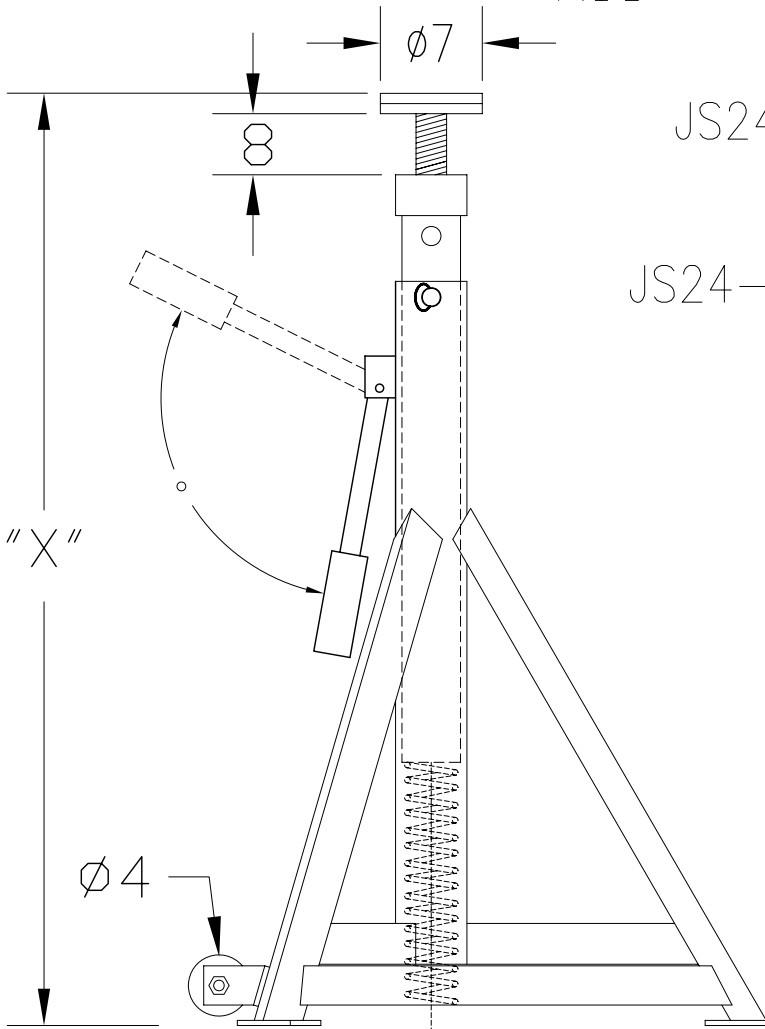


R18



JS24-4775 "X" = 47 - 75  
(1200 - 1900)

JS24-74102 "X" = 74 - 102  
(1880 - 2590)

JACK STAND  
(TRIPOD)

SCREW TYPE  
SPRING LOADED  
PLUNGER

CAPACITY: 24000lb (10910kg) EACH

P K S

MAY12/04

JS-24000S