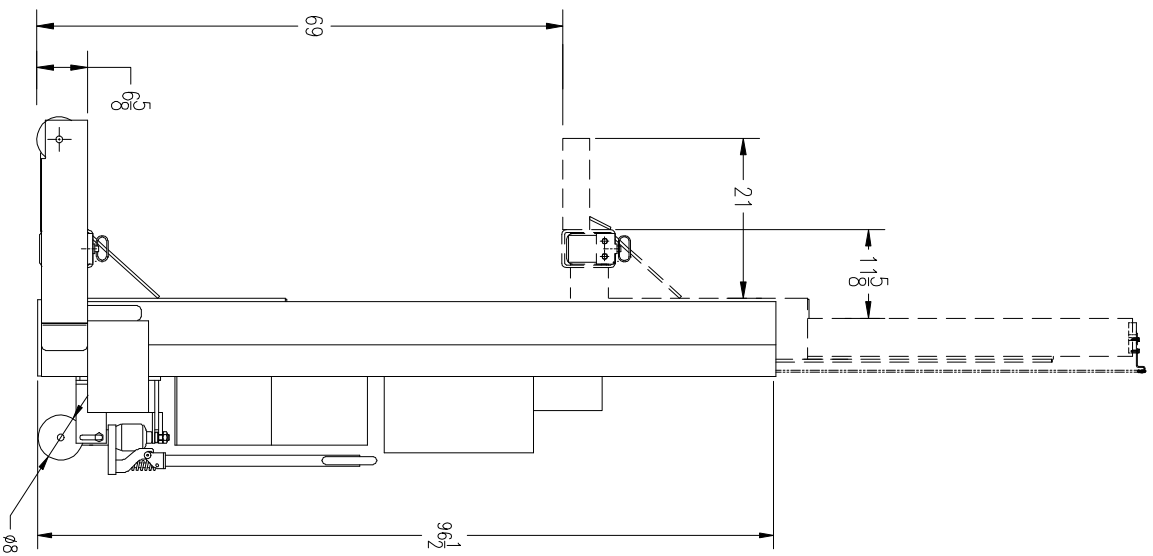
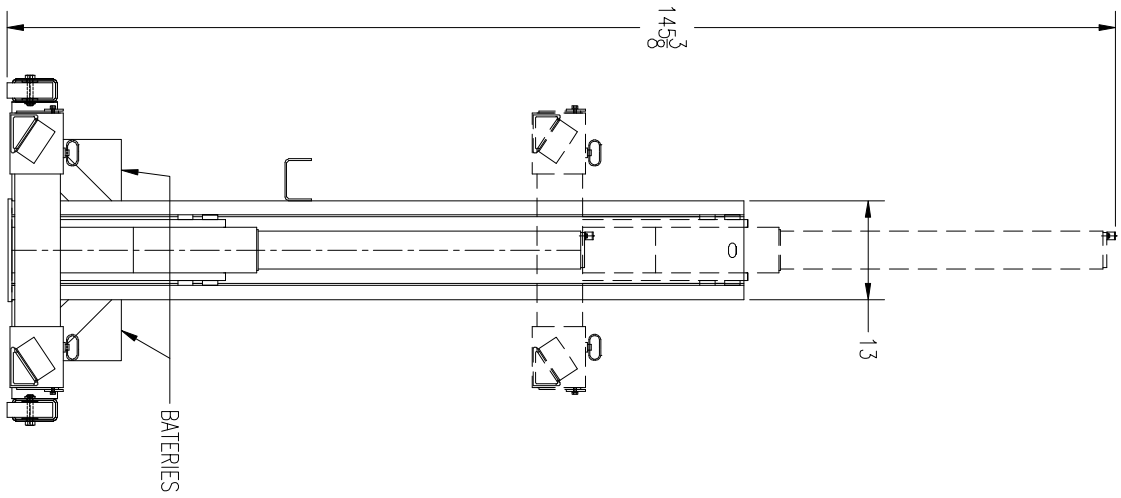


CAPACITY PER COLUMN – 18,000 lbs
 LIFTING HEIGHT UP TO 69”
 LIFTING SPEED – 69 seconds
 ELECTRIC/HYDRAULIC SYSTEM
 AUTOMATIC MULTI-POSITION MECHANICAL LOCK
 HYD. OPERATED THIRD WHEEL
 ADJUSTABLE FORKS (13” TO 25-1/2” INSIDE)
 STEEL ROLLERS, 7/8” THICK CHANNEL



MOBILE LIFT COLUMN
 MODEL: PKMC-18-BO