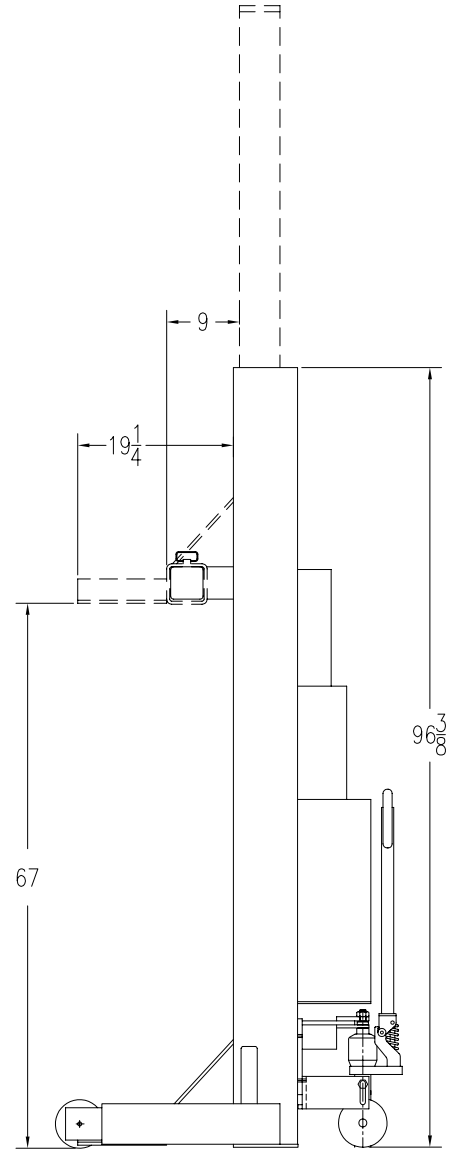
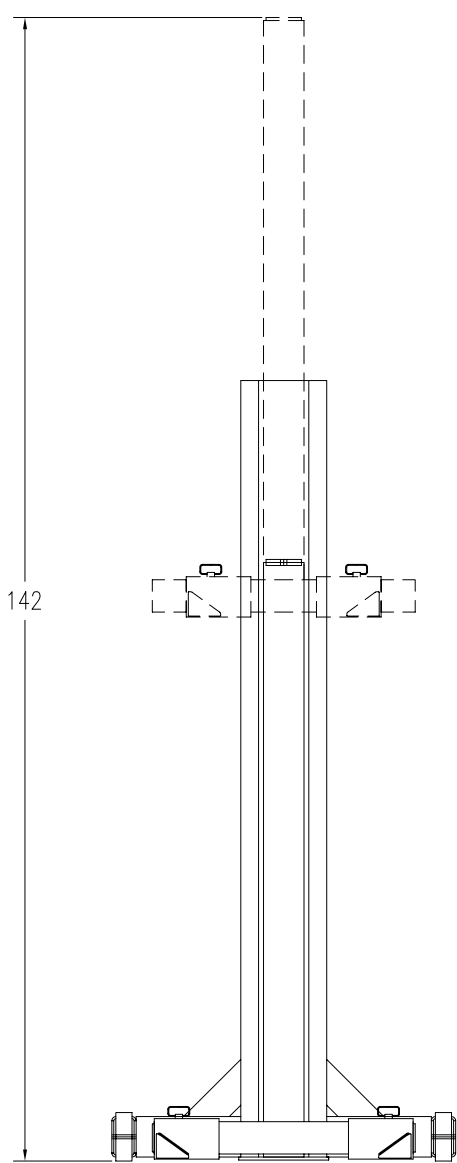


CAPACITY PER COLUMN – 12,000 lbs  
 LIFTING HEIGHT UP TO 67”  
 LIFTING SPEED – 46 seconds  
 ELECTRIC/HYDRAULIC SYSTEM  
 AUTOMATIC MULTI-POSITION MECHANICAL LOCK  
 HYD. OPERATED THIRD WHEEL  
 ADJUSTABLE FORKS ( 13” TO 23-1/2” INSIDE)



MOBILE LIFT COLUMN  
 MODEL: PKMC12-SB4

P	K	S	JULY/2001	PKMC12-SB4-48A
---	---	---	-----------	----------------