

# SPECIFICATION

CAPACITY		50,000LBS	
FOUR COLUMNS C/W HYDRAULIC CYLINDERS			
SAFETY DEVICES ON EACH COLUMN (MECHANICAL/AIR)			
DUAL POWER UNITS C/W EL. MOTORS	STANDARD	2 x 2HP, 3PH, 230/460V	
	OPTIONAL	2 x 2HP, 3PH, 575V	
	OPTIONAL	2 x 2HP, 1PH, 230V	
SPEED OF RISE 72 SEC.			
RUNWAY WIDTH	24" - 30"		
RUNWAY HEIGHT	8-3/4"		
RUNWAYS LENGTH	MODEL: PK40-4-21	21' LONG	"A" 325"
	MODEL: PK40-4-24	24' LONG	"B" 267"
	MODEL: PK40-4-25	25' LONG	"C" 283"
	MODEL: PK40-4-26	26' LONG	303"
	MODEL: PK40-4-28	28' LONG	315"
	MODEL: PK40-4-30	30' LONG	327"
	MODEL: PK40-4-31	31' LONG	331"
	MODEL: PK40-4-32	32' LONG	351"
INSIDE COLUMN CLEARANCE	MODEL: PK40-4-30	30' LONG	433"
	MODEL: PK40-4-31	31' LONG	445"
	MODEL: PK40-4-32	32' LONG	457"
	MODEL: PK40-4-33	33' LONG	469"
MODEL: PK40-4-34	34' LONG	481"	
OVERALL LIFTING HEIGHT	69 1/2"		
OVERALL HEIGHT	12'-4"		
OVERALL WIDTH	13'-10"		
OPTIONAL - ROLLING JACKING BEAM			

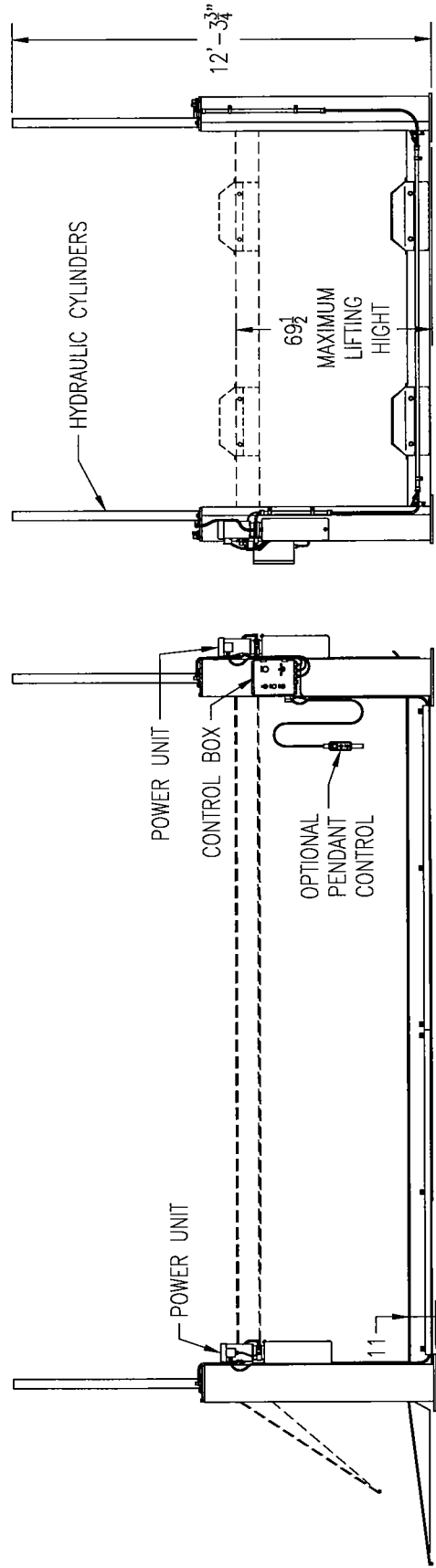
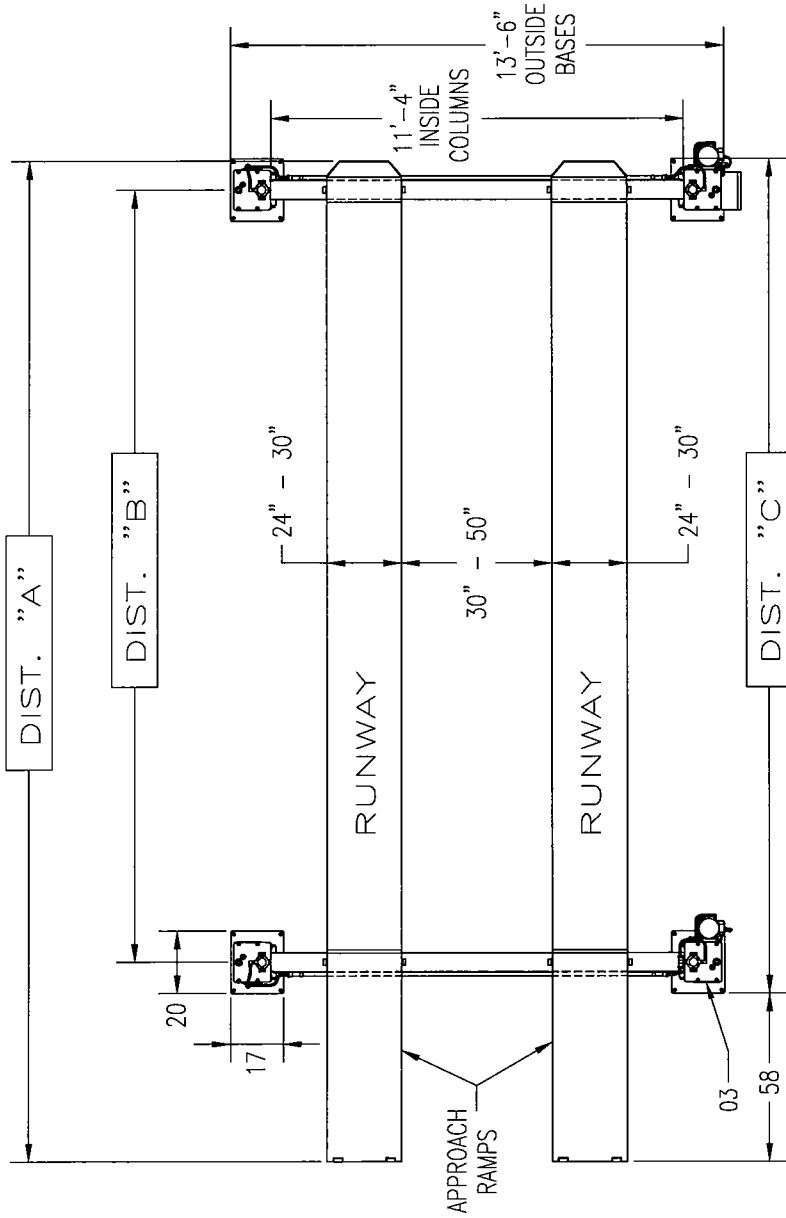


FIG.01

# SPECIFICATION

CAPACITY		50,000LBS	
FOUR COLUMNS C/W HYDRAULIC CYLINDERS			
SAFETY DEVICES ON EACH COLUMN (MECHANICAL/AIR)			
DUAL POWER UNITS C/W EL. MOTORS	STANDARD	2 x 2HP, 3PH, 230/460V	
	OPTIONAL	2 x 2HP, 3PH, 575V	
	OPTIONAL	2 x 2HP, 1PH, 230V	
SPEED OF RISE 72 SEC.			
RUNWAY WIDTH	24" - 30"		
RUNWAY HEIGHT	8-3/4"		
	MODEL: PK40-4-21DT	21' LONG	"A" 325"
MODEL: PK40-4-24DT	24' LONG	"B" 267"	"C" 267"
MODEL: PK40-4-25DT	25' LONG	"A" 361"	"B" 283"
MODEL: PK40-4-26DT	26' LONG	"A" 373"	"B" 295"
MODEL: PK40-4-28DT	28' LONG	"A" 385"	"B" 307"
MODEL: PK40-4-30DT	30' LONG	"A" 409"	"B" 331"
MODEL: PK40-4-31DT	31' LONG	"A" 433"	"B" 355"
MODEL: PK40-4-32DT	32' LONG	"A" 445"	"B" 367"
MODEL: PK40-4-33DT	33' LONG	"A" 457"	"B" 379"
MODEL: PK40-4-34DT	34' LONG	"A" 469"	"B" 391"
MODEL: PK40-4-34DT	34' LONG	"A" 481"	"B" 403"
MODEL: PK40-4-34DT	34' LONG	"A" 481"	"B" 403"
INSIDE COLUMN CLEARANCE	136"		
OVERALL LIFTING HEIGHT	69 1/2"		
OVERALL HEIGHT	12'-4"		
OVERALL WIDTH	13'-10"		
OPTIONAL - ROLLING JACKING BEAM			

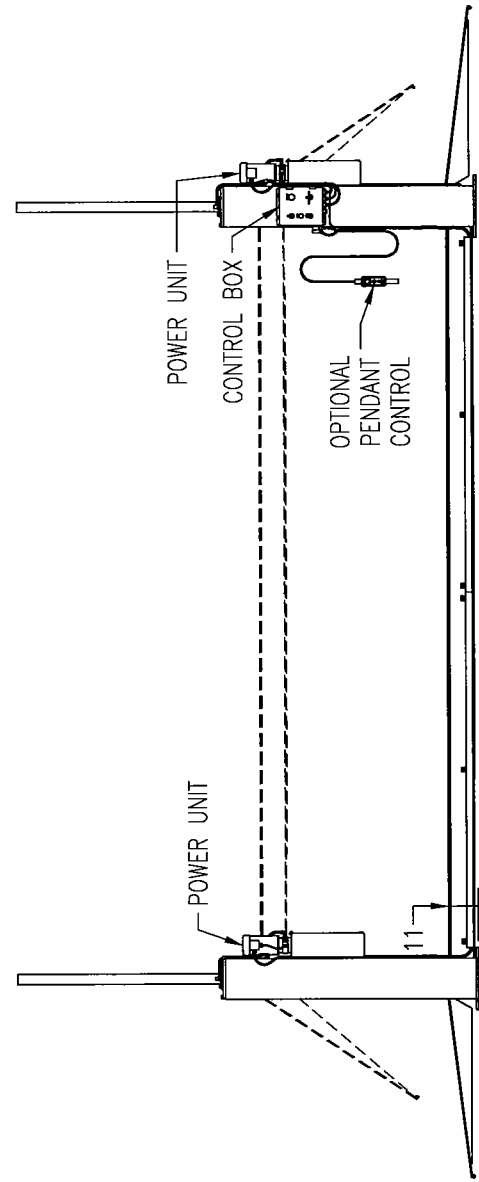
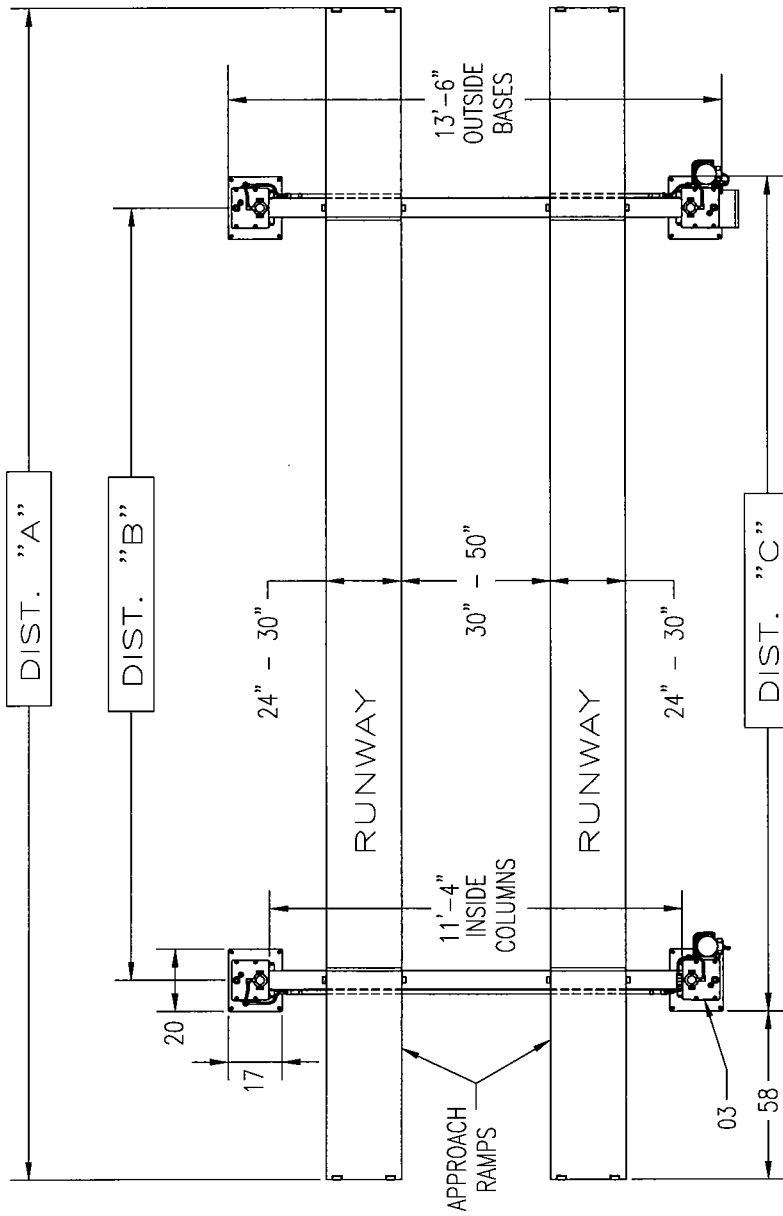


FIG.01.DT