

**SPECIFICATION**

CAPACITY		20,000LBS			
FOUR COLUMNS C/W HYDRAULIC CYLINDERS					
SAFETY DEVICES ON EACH COLUMN (MECHANICAL/AIR)					
DUAL POWER UNITS C/W EL. MOTORS	STANDARD	2 x 2HP, 3PH, 230/460V			
	OPTIONAL	2 x 2HP, 3PH, 575V			
	OPTIONAL	2 x 2HP, 1PH, 230V			
SPEED OF RISE		60 SEC.			
RUNWAY WIDTH	24"				
RUNWAY HEIGHT	7'-1 1/2"				
RUNWAYS LENGTH	MODEL: PK20-4-21	21' LONG	"A" 297"	"B" 244"	"C" 256"
	MODEL: PK20-4-22	22' LONG	309"	256"	268"
	MODEL: PK20-4-23	23' LONG	321"	268"	270"
	MODEL: PK20-4-24	24' LONG	333"	270"	282"
	MODEL: PK20-4-25	25' LONG	345"	282"	294"
	MODEL: PK20-4-26	26' LONG	357"	294"	316"
	MODEL: PK20-4-27	27' LONG	369"	316"	328"
	MODEL: PK20-4-28	28' LONG	381"	328"	340"
	MODEL: PK20-4-29	29' LONG	393"	340"	352"
	MODEL: PK20-4-30	30' LONG	405"	352"	364"
INSIDE COLUMN CLEARANCE	132"				
OVERALL LIFTING HEIGHT	67'-1 1/4"				
OVERALL HEIGHT	12'-2"				
OVERALL WIDTH	12'-6 1/4"				
OPTIONAL - ROLLING JACKING BEAM					

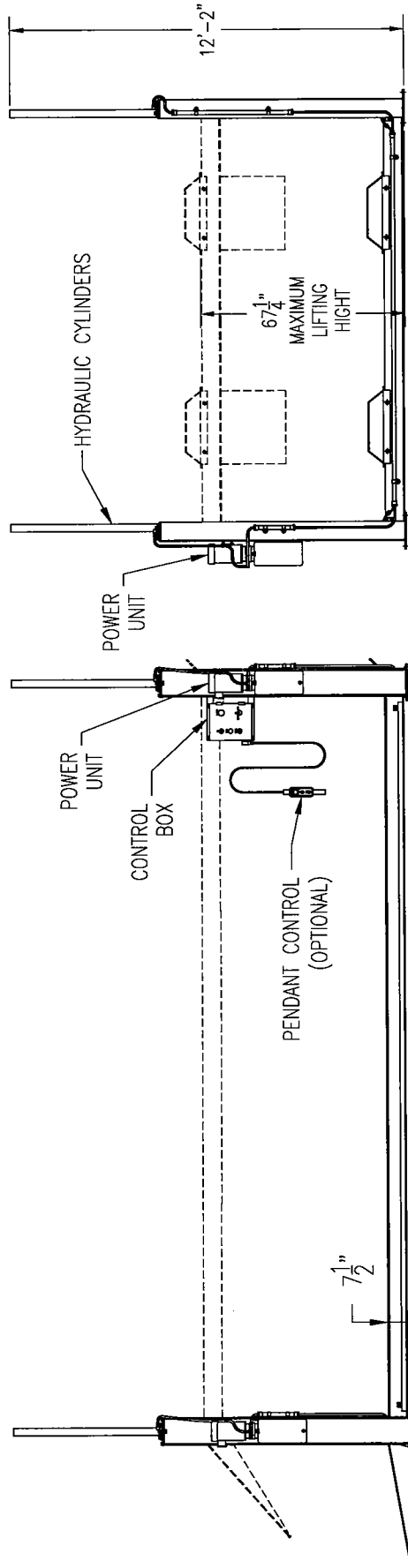
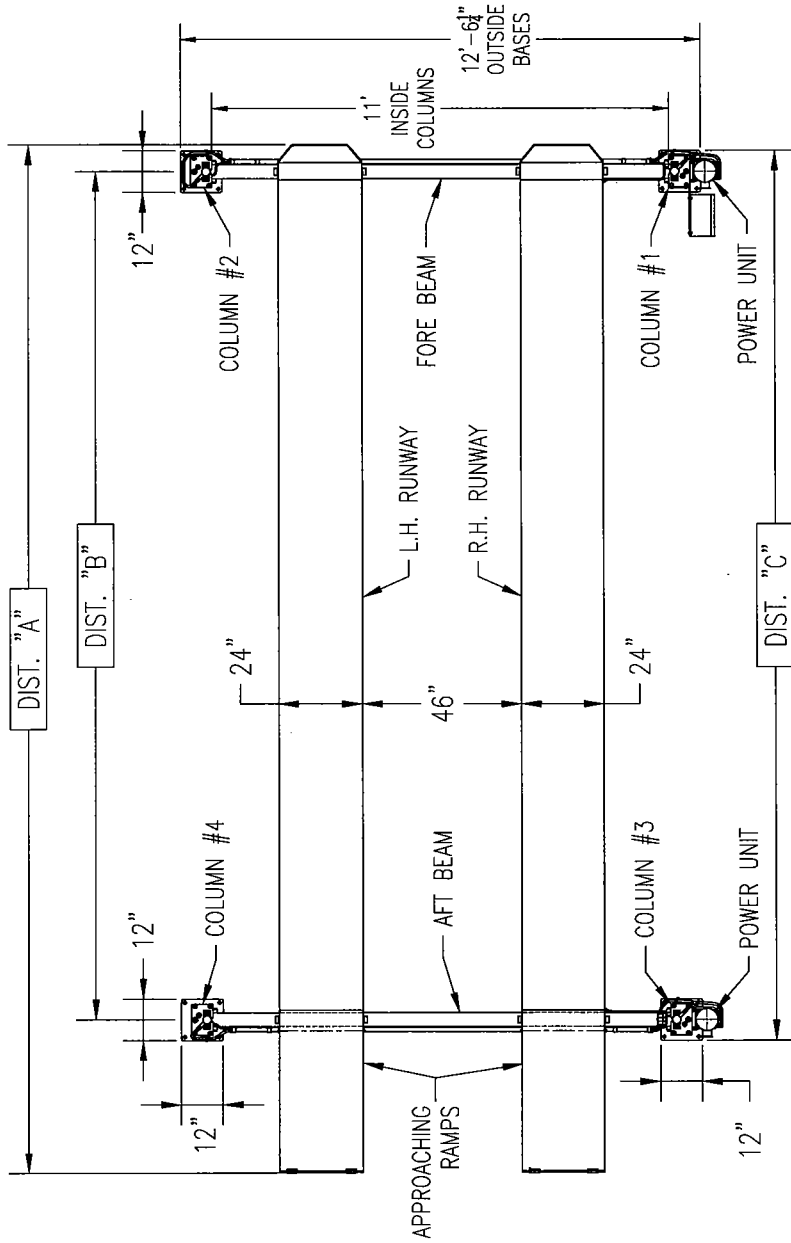


FIG.01

# SPECIFICATION

CAPACITY		20,000LBS	
FOUR COLUMNS C/W HYDRAULIC CYLINDERS			
SAFETY DEVICES ON EACH COLUMN (MECHANICAL/AIR)			
DUAL POWER UNITS C/W EL. MOTORS		STANDARD	2 x 2HP, 3PH, 230/460V
		OPTIONAL	2 x 2HP, 3PH, 575V
		OPTIONAL	2 x 2HP, 1PH, 230V
SPEED OF RISE 60 SEC.			
RUNWAY WIDTH	24"		DISTANCES
RUNWAY HEIGHT	7'-1/2"		"A" "B" "C"
MODEL: PK20-4-21	21' LONG	33 3/8"	24 1/2"
MODEL: PK20-4-22	22' LONG	34 5/8"	25 1/2"
MODEL: PK20-4-23	23' LONG	35 7/8"	26 1/2"
MODEL: PK20-4-24	24' LONG	36 9/8"	27 1/2"
MODEL: PK20-4-25	25' LONG	39 1/8"	29 1/2"
MODEL: PK20-4-26	26' LONG	40 3/8"	29 1/2"
MODEL: PK20-4-27	27' LONG	41 5/8"	31 1/2"
MODEL: PK20-4-28	28' LONG	42 7/8"	32 1/2"
MODEL: PK20-4-29	29' LONG	43 9/8"	34 1/2"
MODEL: PK20-4-30	30' LONG	45 1/8"	35 1/2"
INSIDE COLUMN CLEARANCE	132"		
OVERALL LIFTING HEIGHT	67'-1/4"		
OVERALL HEIGHT	12'-2"		
OVERALL WIDTH	12'-6 1/4"		
OPTIONAL - ROLLING JACKING BEAM			

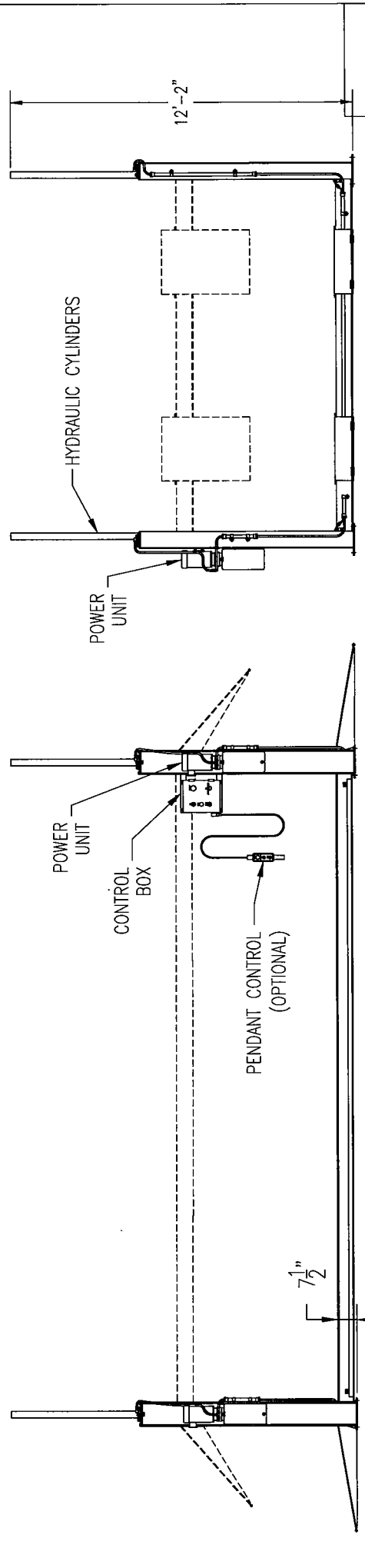
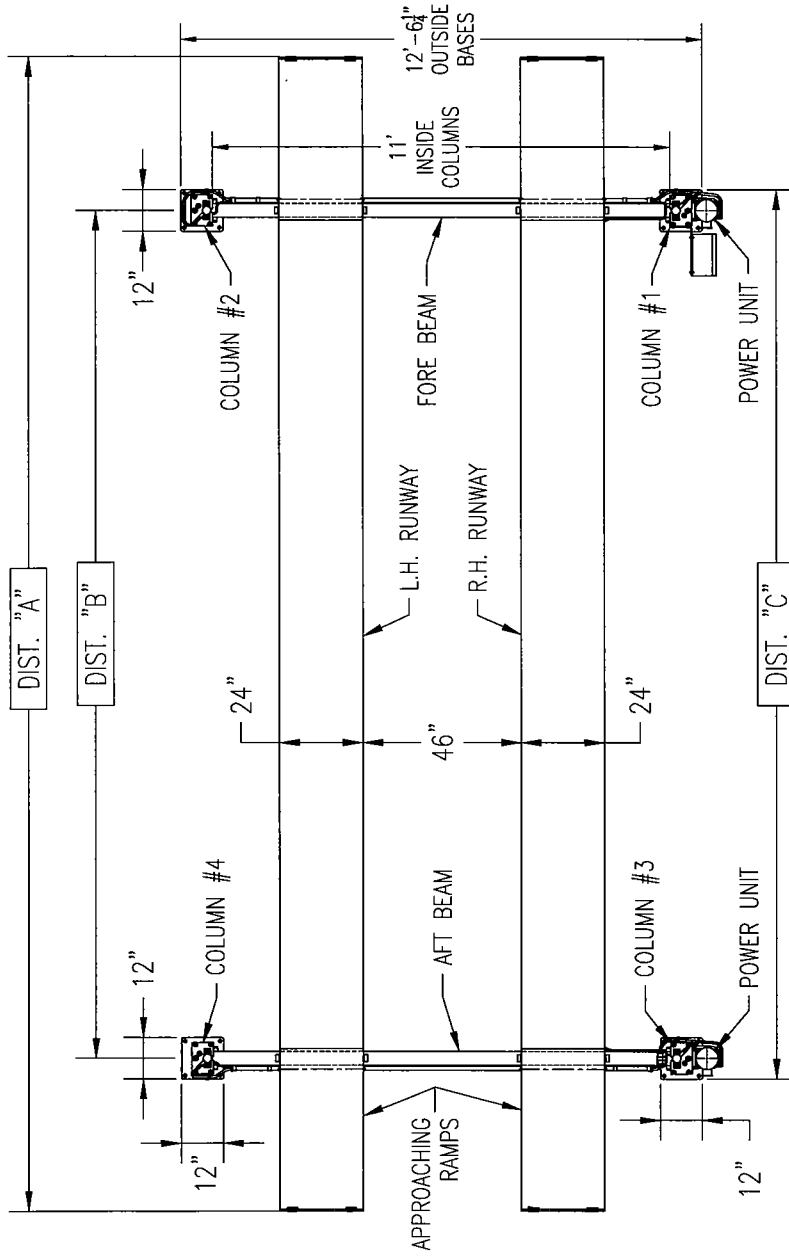


FIG.01