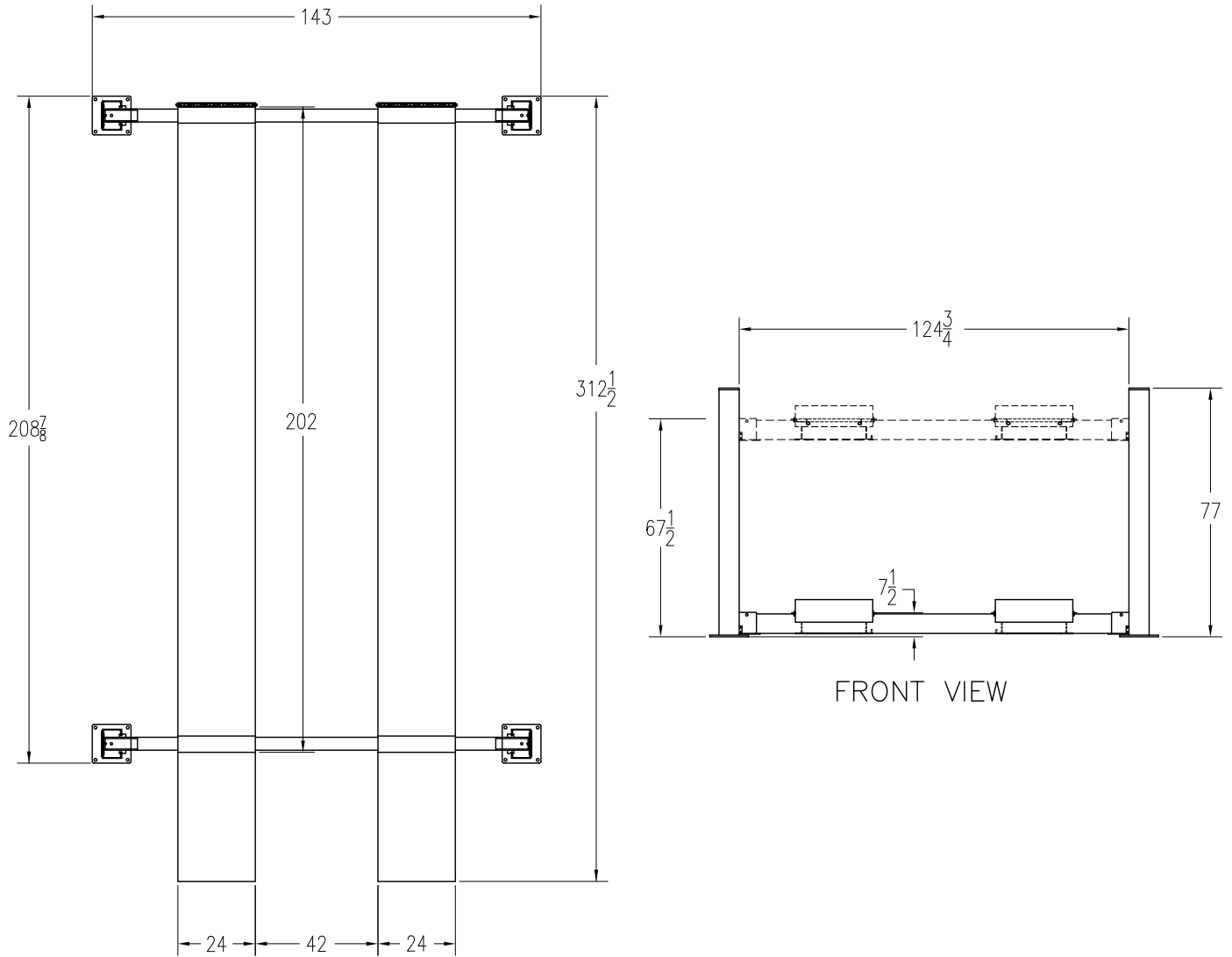


FOUR POST LIFT PK15-4-S-202



SPECIFICATION

CAPACITY	15,000 LBS	RUNWAY LENGTH	202"
WHEELBASE	178"	RUNWAY HEIGHT	7-1/2"
INSIDE COLUMN CLEARANCE	124-3/4"	RUNWAY WIDTH	24"
MECHANICAL SAFETY LOCK ON EACH COLUMN		OVERALL HEIGHT	77"
ELECTRICAL	2HP 208-230 V, SINGLE PHASE	OVERALL WIDTH	143"
OPTIONAL	208-230 V, 3PH	OVERALL LIFTING HEIGHT	67-1/2"
SPEED OF RISE	60 SEC.	OPTIONAL - ROLLING JACKING BEAM	

P K S

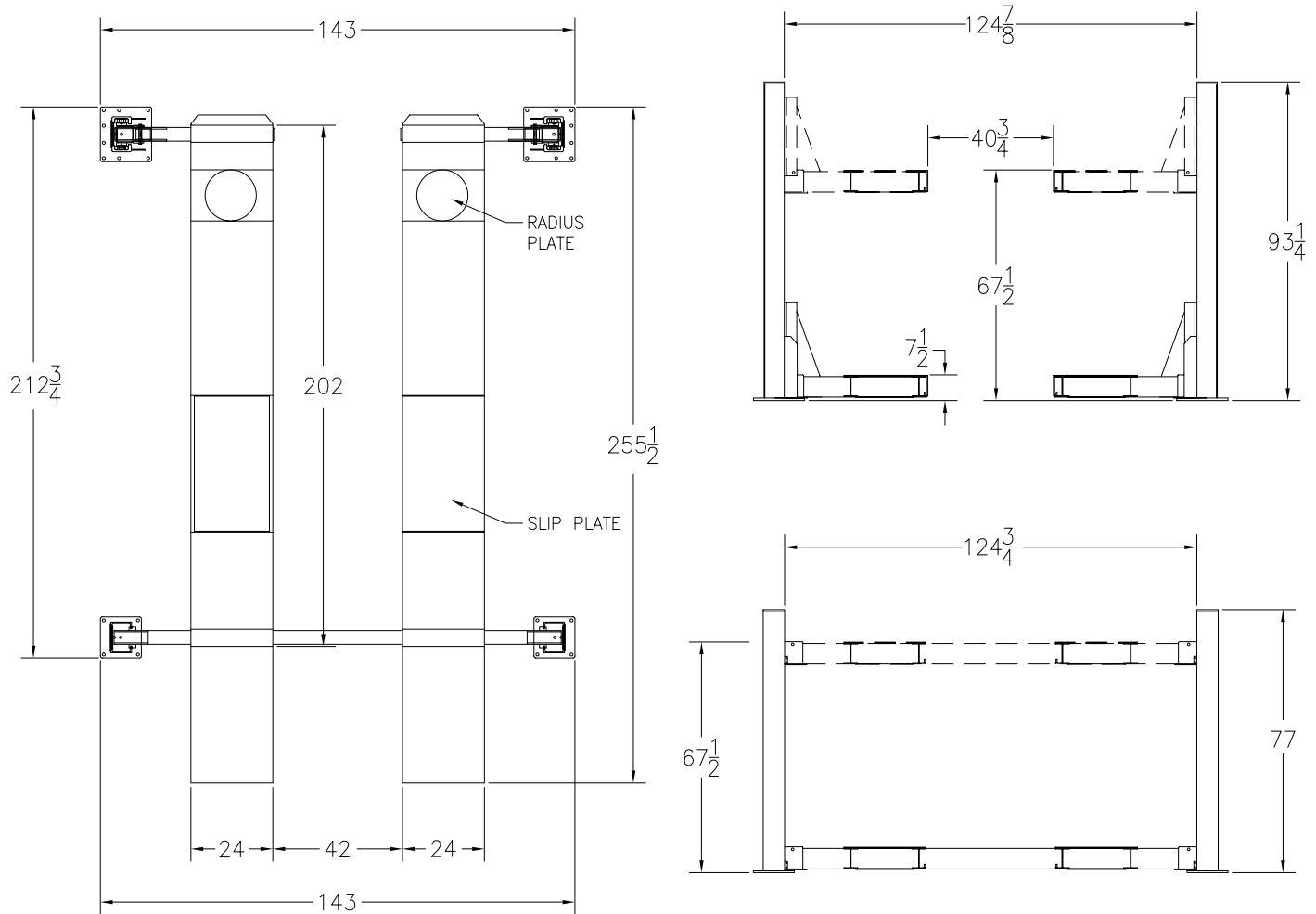
MAR.02/2007

DWG

PK154S202

A

FOUR POST ALIGNMENT LIFT OPEN FRONT BEAM PK15-4-OBA-17



SPECIFICATION

CAPACITY	15,000 LBS	INSIDE COLUMN CLEARANCE	124-3/4'
LIFT TRUCK MAST CHANNEL ON FRONT COLUMNS		RUNWAY HEIGHT	7-1/2"
ADJUSTABLE LEVEL ON FRONT BEAMS		RUNWAY WIDTH	24"
MECHANICAL SAFETY LOCK ON EACH COLUMN		OVERALL HEIGHT	93-1/4"
ELECTRICAL 2HP 208-230 V, SINGLE PHASE		OVERALL WIDTH	143"
SPEED OF RISE	60 SEC.	OVERALL LIFTING HEIGHT	67-1/2"
WHEELBASE 180"		MAX 2 WHEEL ALIGNMENT -	170"
OPTIONAL - 208-230V, 3PH		4 WHEEL ALIGNMENT	86" - 136"

P K S

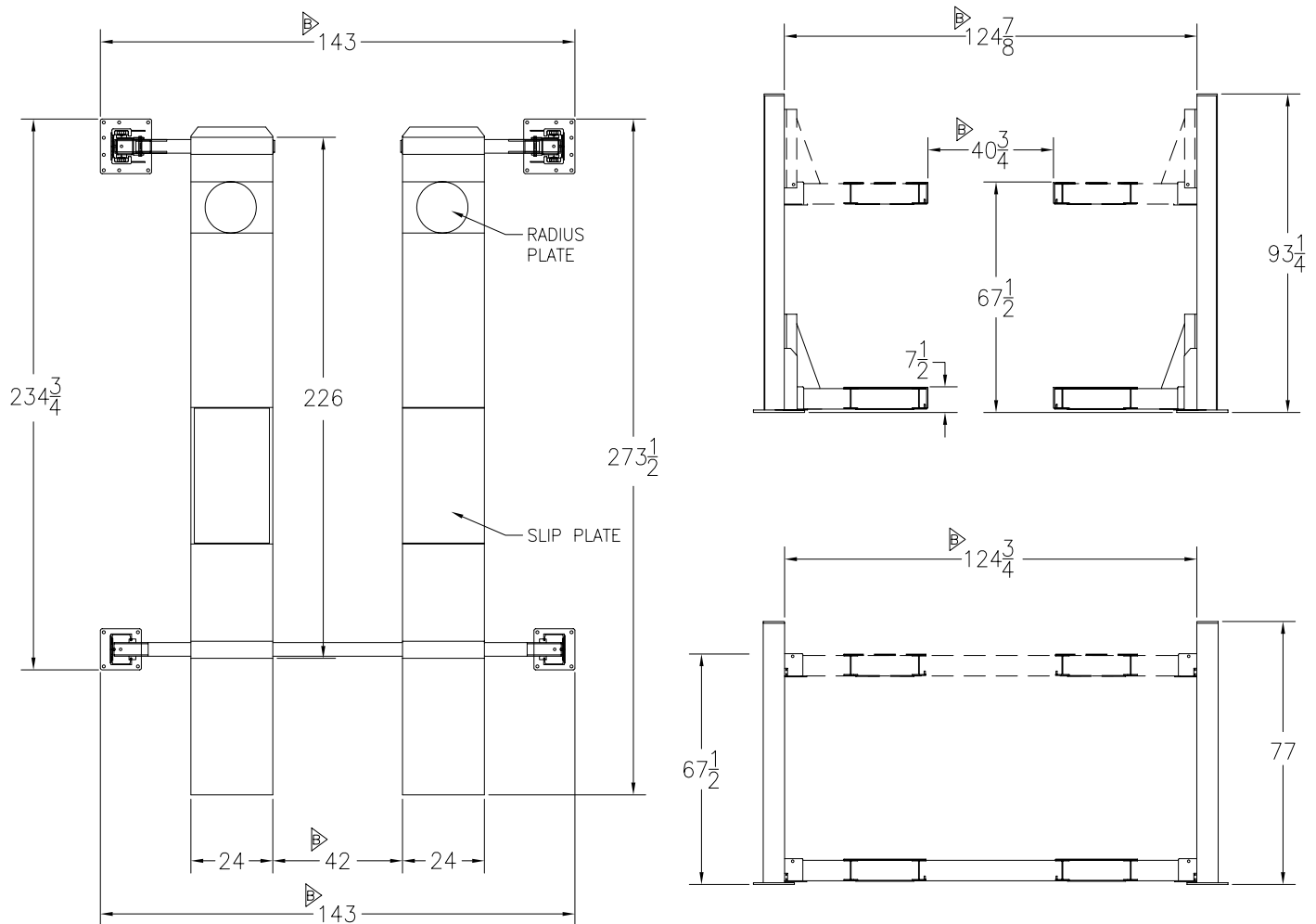
JUNE 19/2006

DWG

FIG.01-202

A

FOUR POST ALIGNMENT LIFT OPEN FRONT BEAM PK15-4-OBA-19



SPECIFICATION

CAPACITY	15,000 LBS	INSIDE COLUMN CLEARANCE	124-3/4'
LIFT TRUCK MAST CHANNEL ON FRONT COLUMNS		RUNWAY HEIGHT	7-1/2"
ADJUSTABLE LEVEL ON FRONT BEAMS		RUNWAY WIDTH	24"
MECHANICAL SAFETY LOCK ON EACH COLUMN		OVERALL HEIGHT	93-1/4"
ELECTRICAL 2HP 208-230 V, SINGLE PHASE		OVERALL WIDTH	143"
SPEED OF RISE	60 SEC.	OVERALL LIFTING HEIGHT	67-1/2"
WHEELBASE 200"		MAX 2 WHEEL ALIGNMENT	194"
OPTIONAL - 208-230V, 3PH		4 WHEEL ALIGNMENT	86" - 136"

P K S

JUNE 02/2005

DWG

FIG.1-226

B

