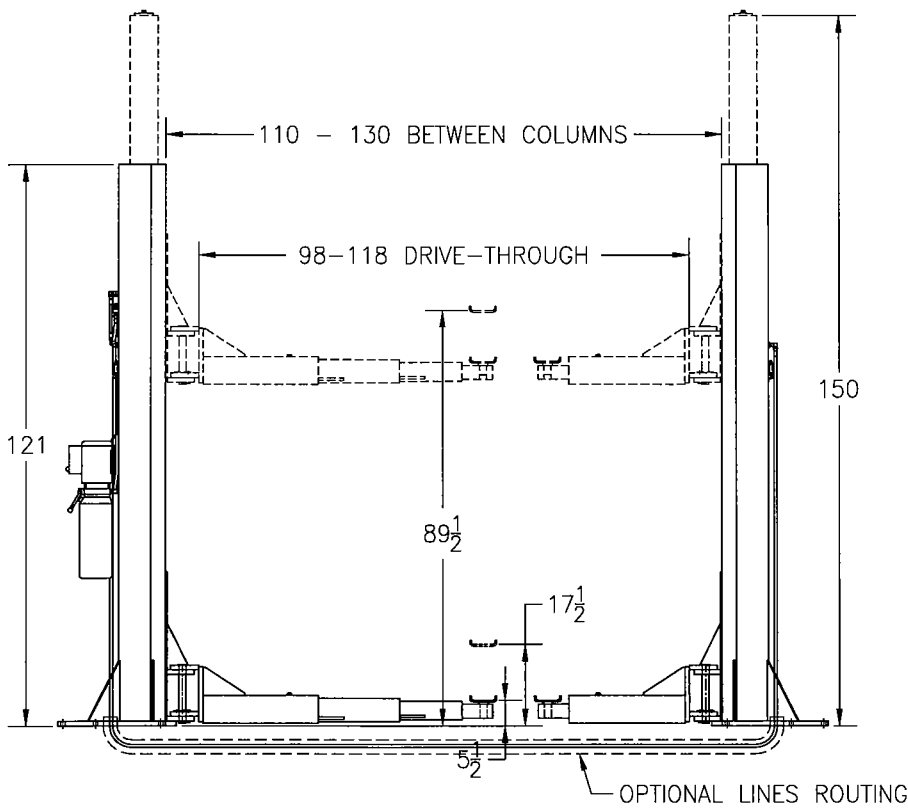


TWO-POST LIFT MODEL: PK20



CAPACITY: 20,000 LBS

RISE: 89-1/2"

CEILING HEIGHT
REQUIRED: 160"MIN.

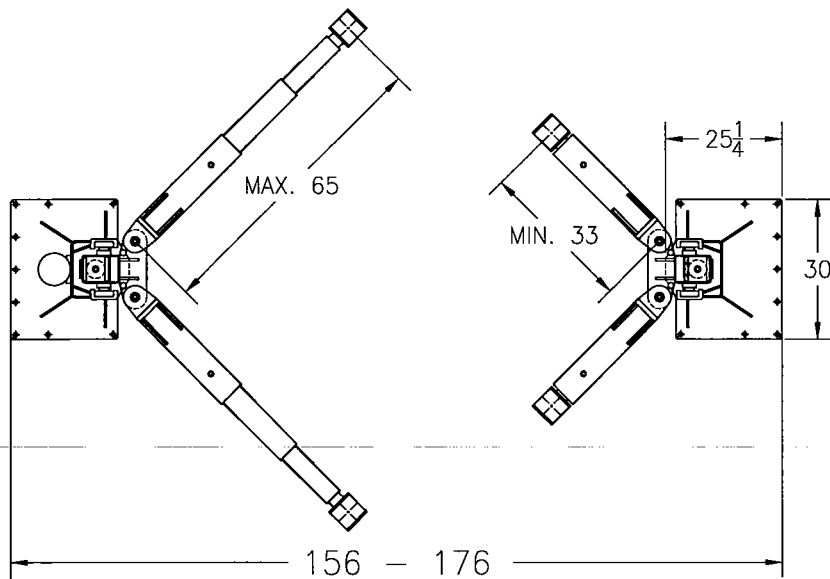
MOTORS: 2 HP

VOLTAGE 1 Ph.: 208-230V

VOLTAGE 3 Ph.: 230-460V

VOLTAGE 3 Ph.: 575V

HIGHT ADAPTERS



FEATURES:

1. AIR/HYDRAULIC CONTROL
2. CLEAR FLOOR
3. NO OVERHEAD BEAM
4. NO EQUALIZING CABLES
5. LOW PROFILE ARMS
6. A SINGLE POINT LOCK RELEASE
7. ARM RESTRAIN

DWN.
JK
APPR.
KK

P K S

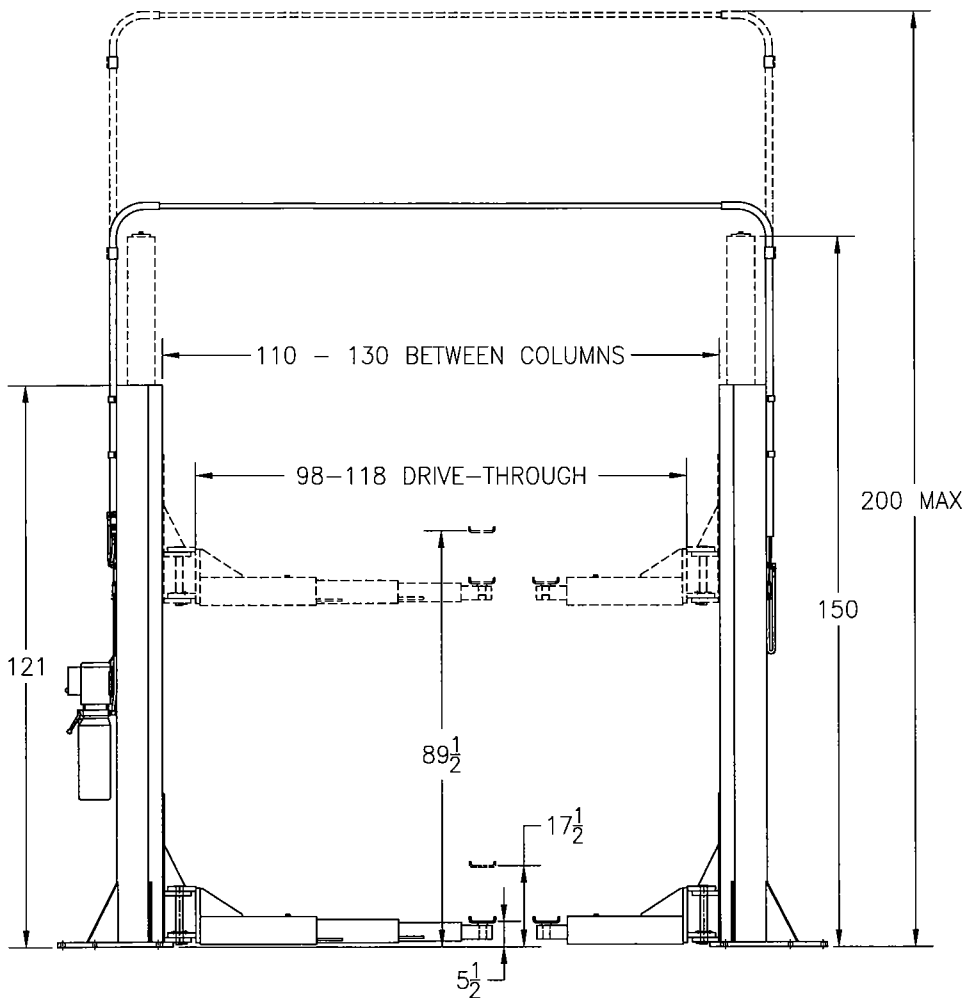
APR.18/2006

DWG

PK20SPEC

A

TWO-POST LIFT MODEL: PK20



CAPACITY: 20,000 LBS

RISE: 89-1/2"

CEILING HEIGHT
REQUIRED: 160" MIN.

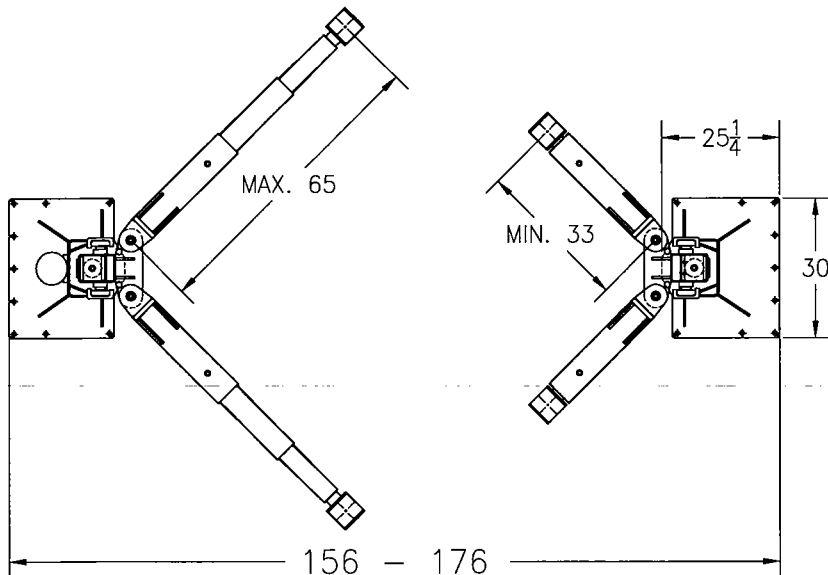
MOTORS: 2 HP

VOLTAGE 1 Ph.: 208-230V

VOLTAGE 3 Ph.: 230-460V

VOLTAGE 3 Ph.: 575V

HIGHT ADAPTERS



FEATURES:

1. AIR/HYDRAULIC CONTROL
2. CLEAR FLOOR
3. NO OVERHEAD BEAM
4. NO EQUALIZING CABLES
5. LOW PROFILE ARMS
6. A SINGLE POINT LOCK RELEASE
7. ARM RESTRAIN

DWN.
JK
APPR.
KK

P K S

APR.18/2006

DWG

PK20SPEC

A

TWO-POST LIFT MODEL: PK20E

CAPACITY: 20,000 LBS

RISE: 89-1/2"

CEILING HEIGHT
REQUIRED: 160" MIN

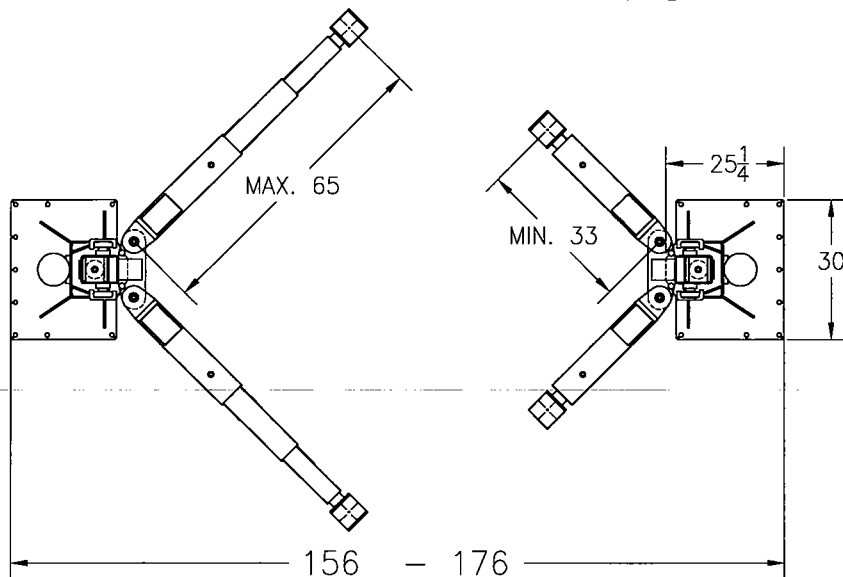
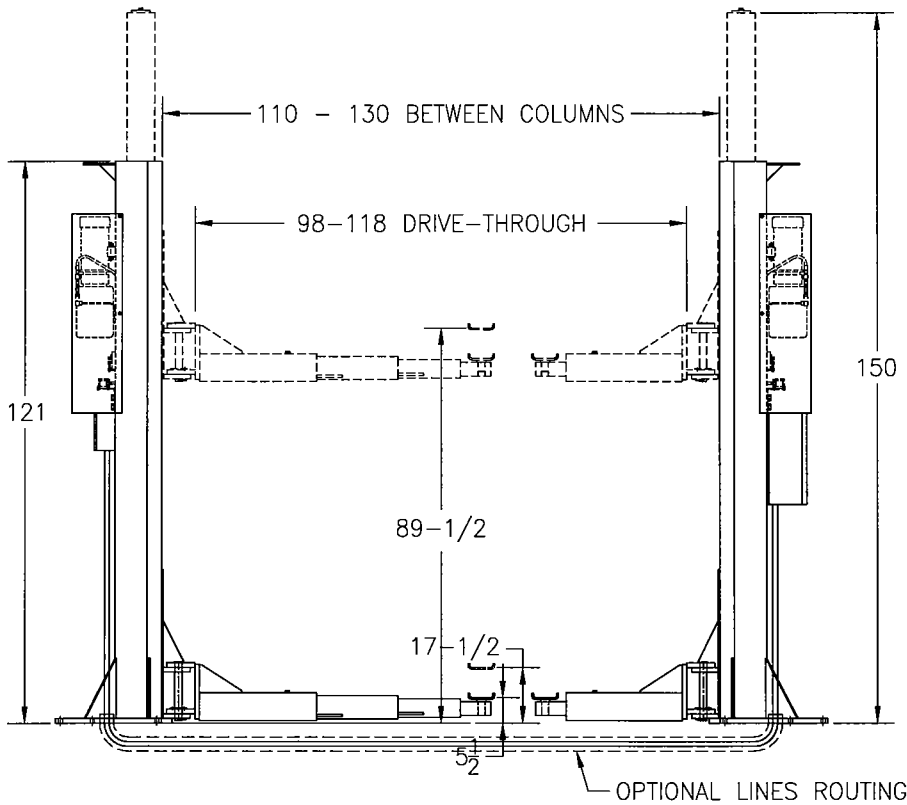
MOTORS: 2 x 2HP

VOLTAGE 1 Ph.: 208-230V

VOLTAGE 3 Ph.: 230-460V

VOLTAGE 3 Ph.: 575V

HIGHT ADAPTERS



FEATURES:

1. ELECTRONICALLY CONTROL
2. CLEAR FLOOR
3. NO OVERHEAD BEAM
4. NO EQUALIZING CABLES
5. LOW PROFILE ARMS
6. A SINGLE POINT LOCK RELEASE
7. ARM RESTRAIN

P K S

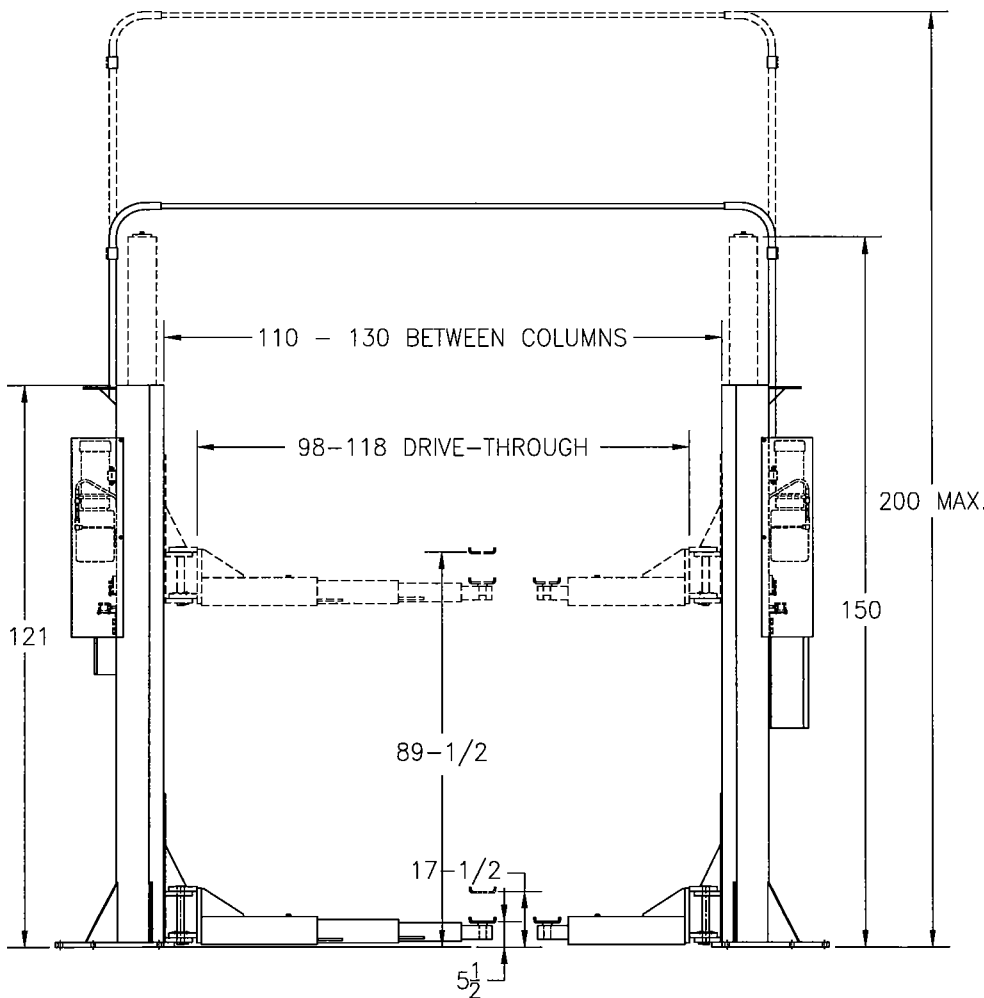
SEP.05/2006

DWG

PK20ESPEC

A

TWO-POST LIFT MODEL: PK20E



CAPACITY: 20,000 LBS

RISE: 89-1/2"

CEILING HEIGHT
REQUIRED: 160"MIN

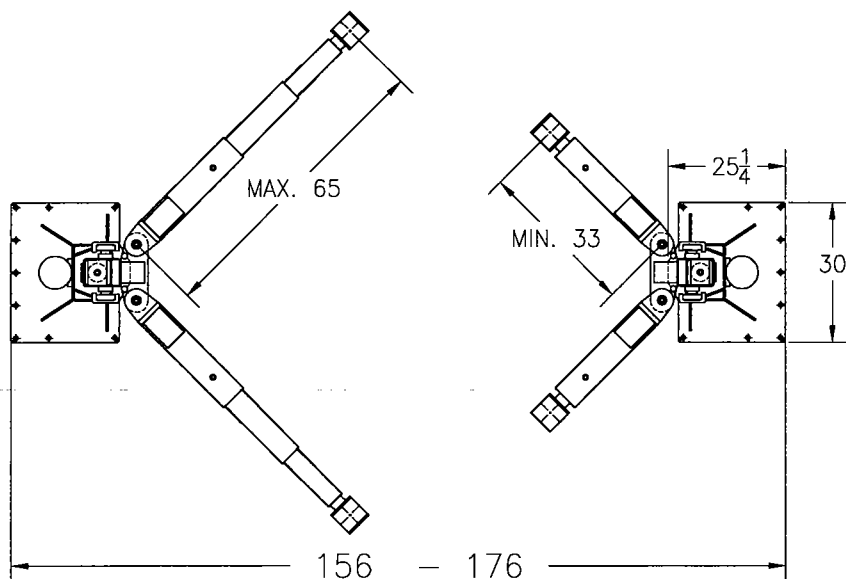
MOTORS: 2 x 2HP

VOLTAGE 1 Ph.: 208-230V

VOLTAGE 3 Ph.: 230-460V

VOLTAGE 3 Ph.: 575V

HIGHT ADAPTERS



FEATURES:

1. ELECTRONICALLY CONTROL
2. CLEAR FLOOR
3. NO OVERHEAD BEAM
4. NO EQUALIZING CABLES
5. LOW PROFILE ARMS
6. A SINGLE POINT LOCK RELEASE
7. ARM RESTRAIN

P K S

SEP.05/2006

DWG

PK20ESPEC

A