

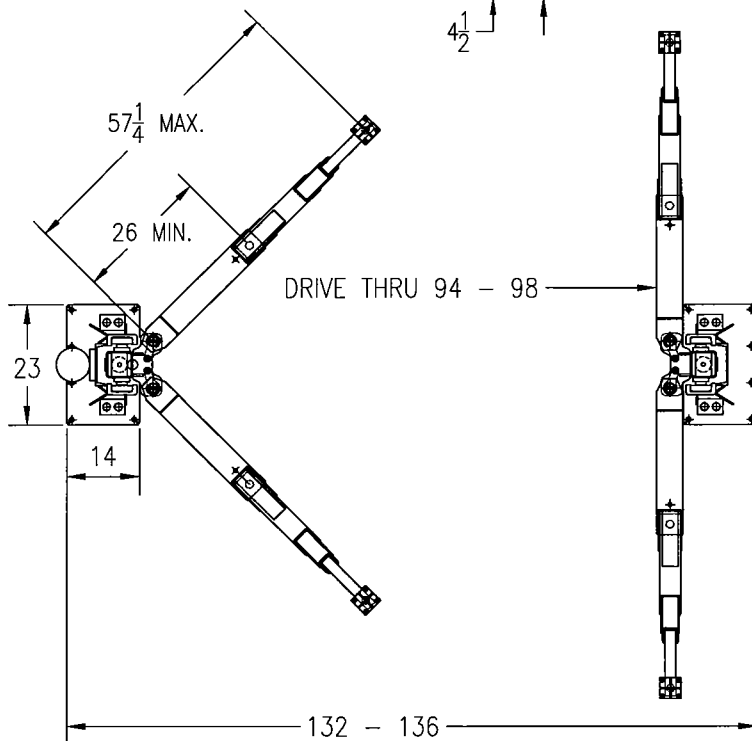
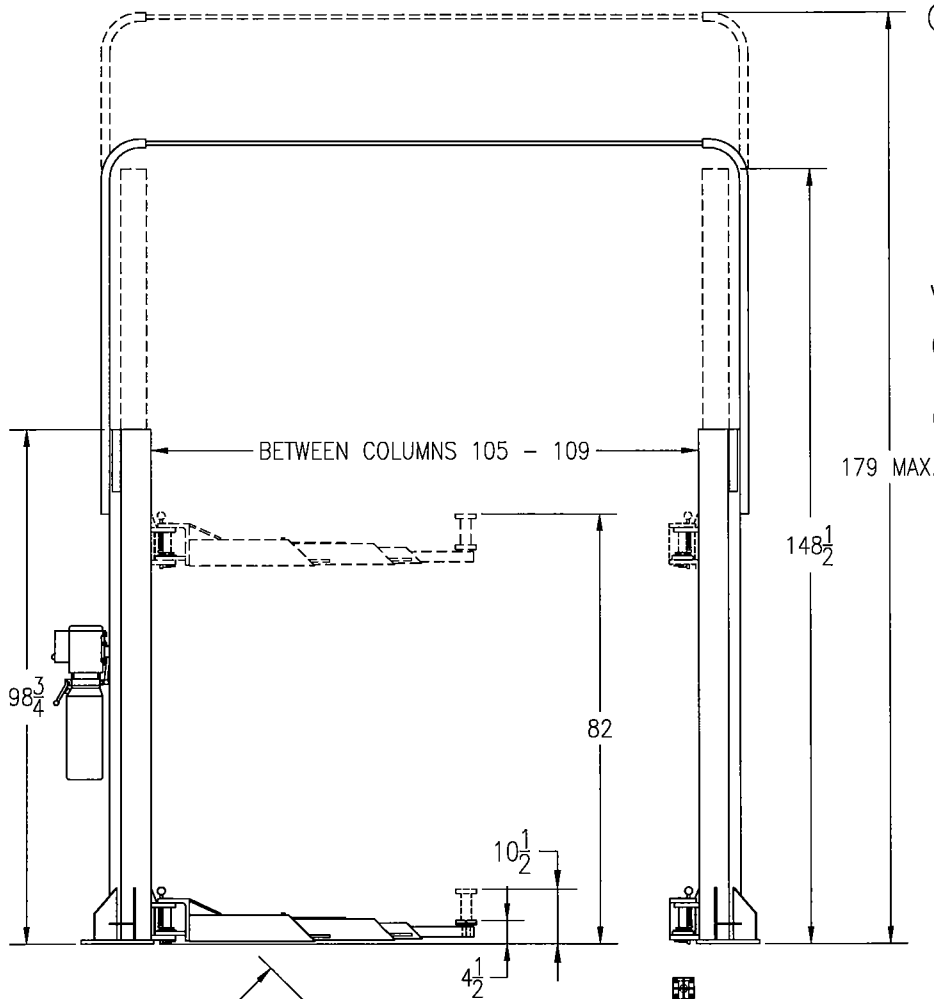
TWO-POST LIFT MODEL: PK12-BH

CAPACITY - 12,000 LBS
RISE: 82"

MINIMUM CEILING HEIGHT
REQUIRED: 152"

MOTOR: 2 HP
VOLTAGE: 1 phase, 208-230V
OPTIONAL: 3 phase, 230-460V

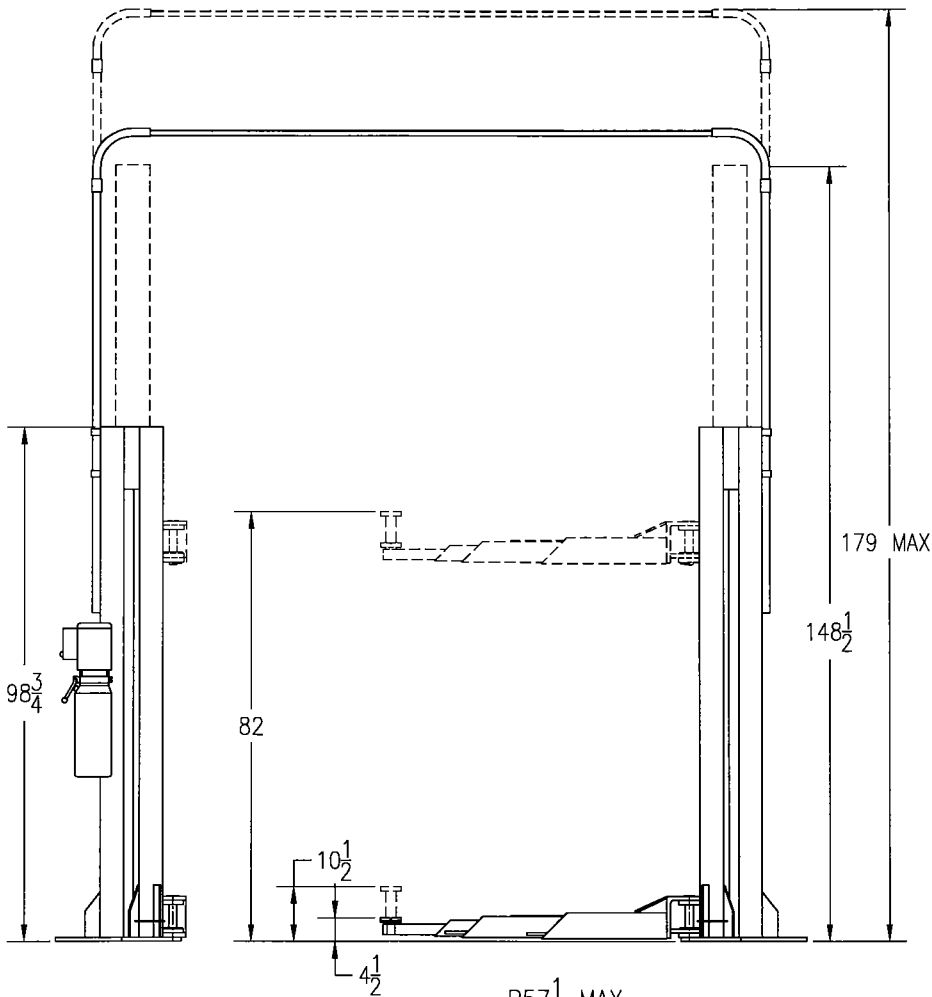
OPTIONAL HEIGHT ADAPTERS



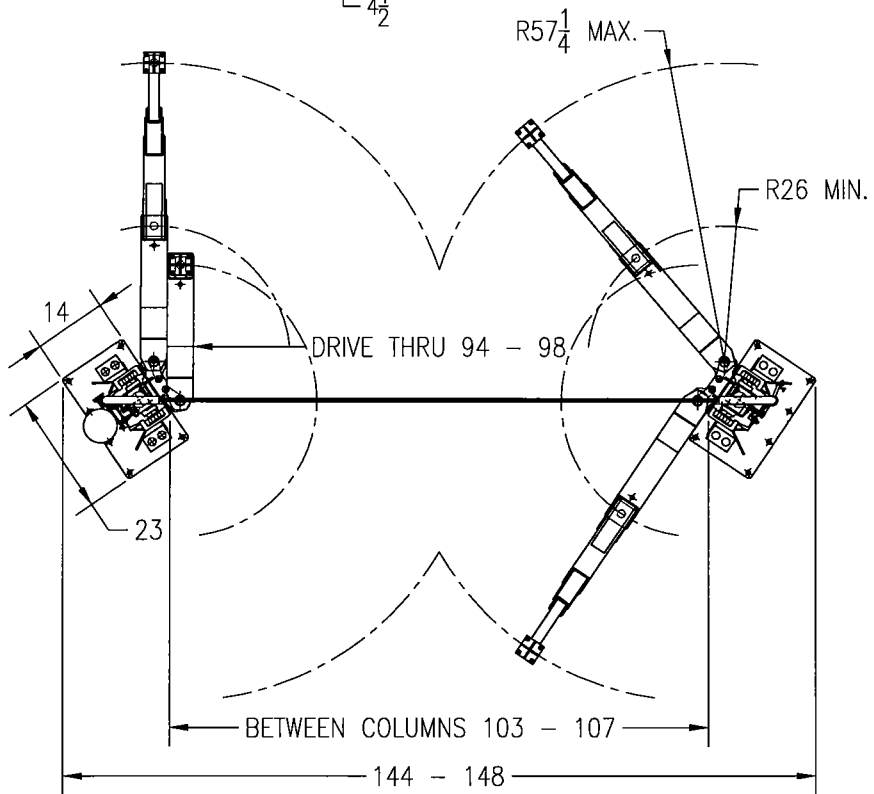
FEATURES:

1. FORKLIFT MAST CHANNEL & ROLLERS
2. CLEAR FLOOR
3. NO OVERHEAD BEAM
4. NO EQUALIZING CABLES
5. LOW PROFILE ARMS
6. A SINGLE POINT LOCK RELEASE
7. ARM RESTRAIN

TWO-POST LIFT MODEL: PK12A-BH



CAPACITY - 12,000 LBS
 RISE: 82"
 MINIMUM CEILING HEIGHT
 REQUIRED: 152"
 MOTOR: 2 HP
 VOLTAGE: 1 phase, 208-230V
 OPTIONAL: 3 phase, 230-460V
 OPTIONAL HEIGHT ADAPTERS



FEATURES:

1. FORKLIFT MAST CHANNEL & ROLLERS
2. CLEAR FLOOR
3. NO OVERHEAD BEAM
4. NO EQUALIZING CABLES
5. LOW PROFILE ARMS
6. A SINGLE POINT LOCK RELEASE
7. ARM RESTRAIN

TWO-POST LIFT MODEL: PK12-B

CAPACITY - 12,000 LBS
RISE: 78"

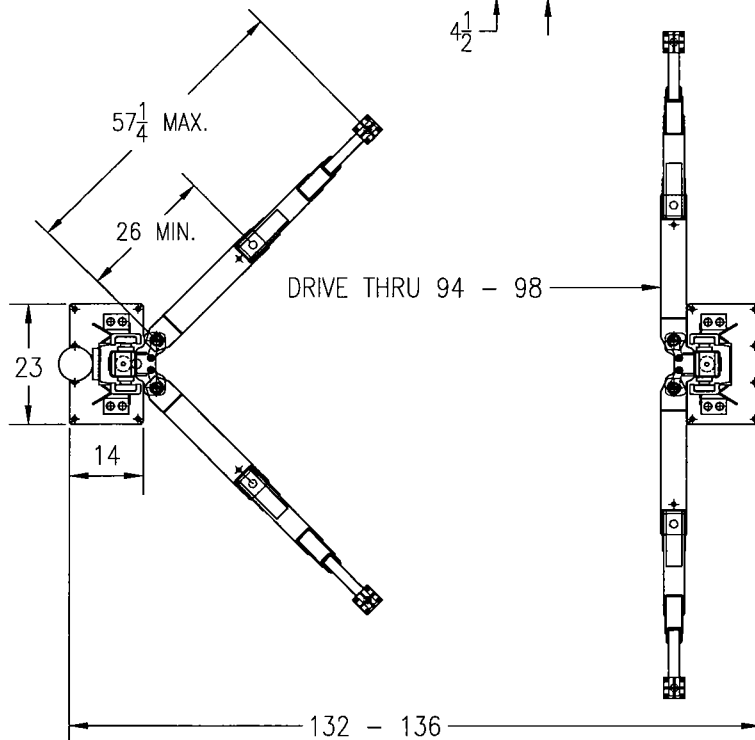
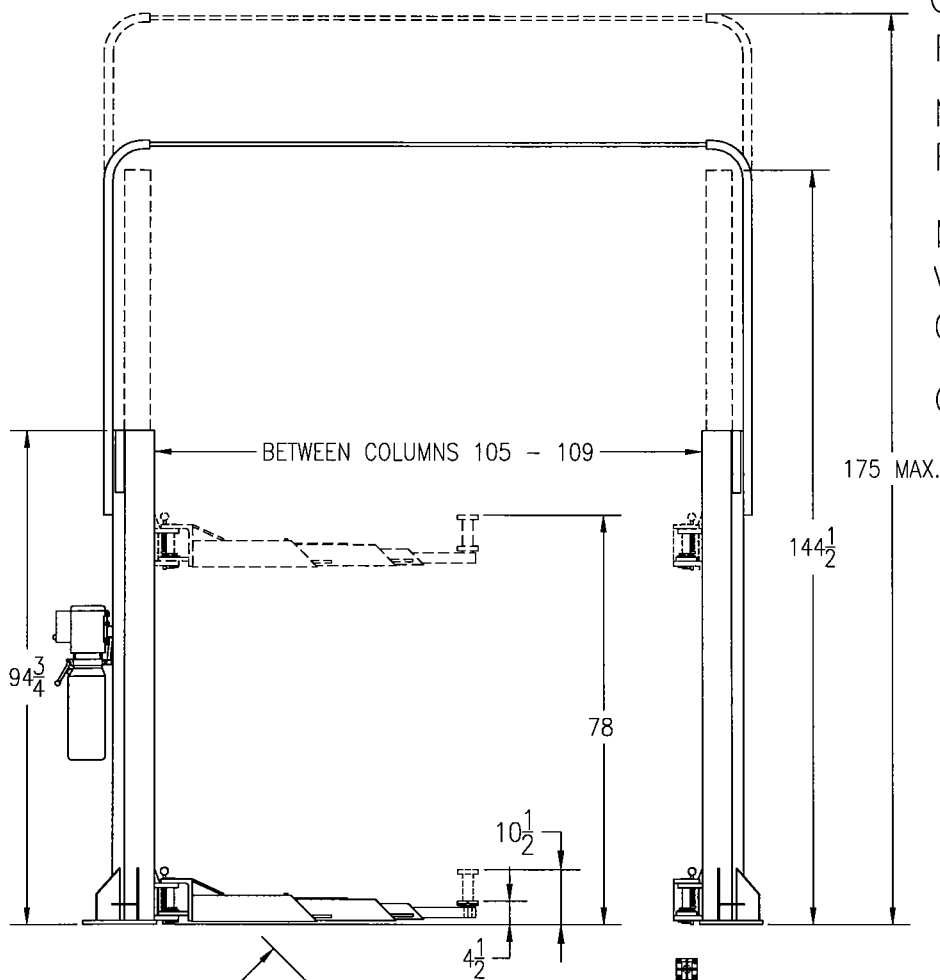
MINIMUM CEILING HEIGHT
REQUIRED: 148"

MOTOR: 2 HP

VOLTAGE: 1 phase, 208-230V

OPTIONAL: 3 phase, 230-460V

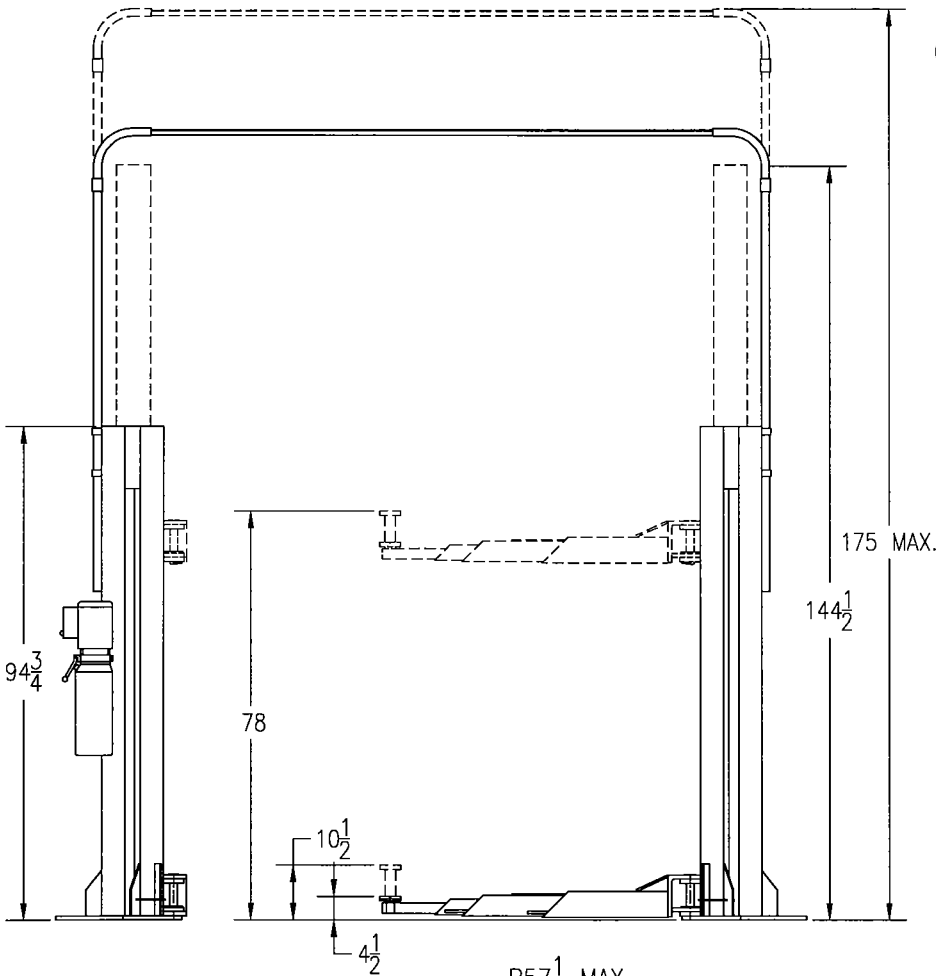
OPTIONAL HEIGHT ADAPTERS



FEATURES:

1. FORKLIFT MAST CHANNEL & ROLLERS
2. CLEAR FLOOR
3. NO OVERHEAD BEAM
4. NO EQUALIZING CABLES
5. LOW PROFILE ARMS
6. A SINGLE POINT LOCK RELEASE
7. ARM RESTRAIN

TWO-POST LIFT MODEL: PK12A-B

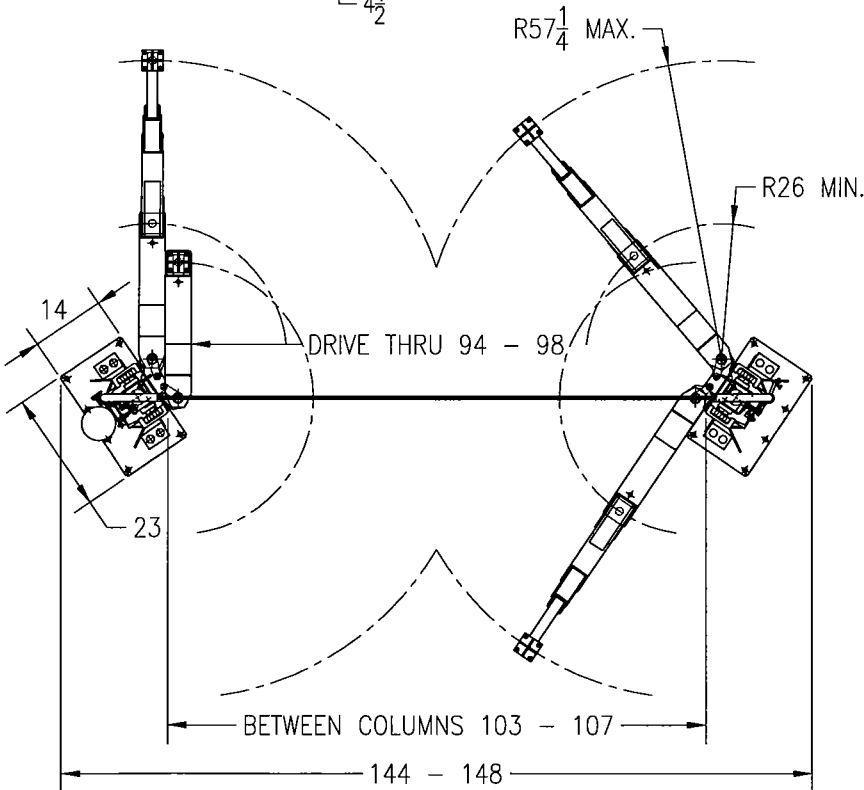


CAPACITY - 12,000 LBS
RISE: 78"

MINIMUM CEILING HEIGHT
REQUIRED: 148"

MOTOR: 2 HP
VOLTAGE: 1 phase, 208-230V
OPTIONAL: 3 phase, 230-460V

OPTIONAL HEIGHT ADAPTERS



FEATURES:

1. FORKLIFT MAST CHANNEL & ROLLERS
2. CLEAR FLOOR
3. NO OVERHEAD BEAM
4. NO EQUALIZING CABLES
5. LOW PROFILE ARMS
6. A SINGLE POINT LOCK RELEASE
7. ARM RESTRAIN

P K S

AUG.25/2004

DWG

PK12ABSPEC

A